

Unified Office Gateway

UMG-2000 / UMG-2200

Quick Installation Guide

Version: 1.0

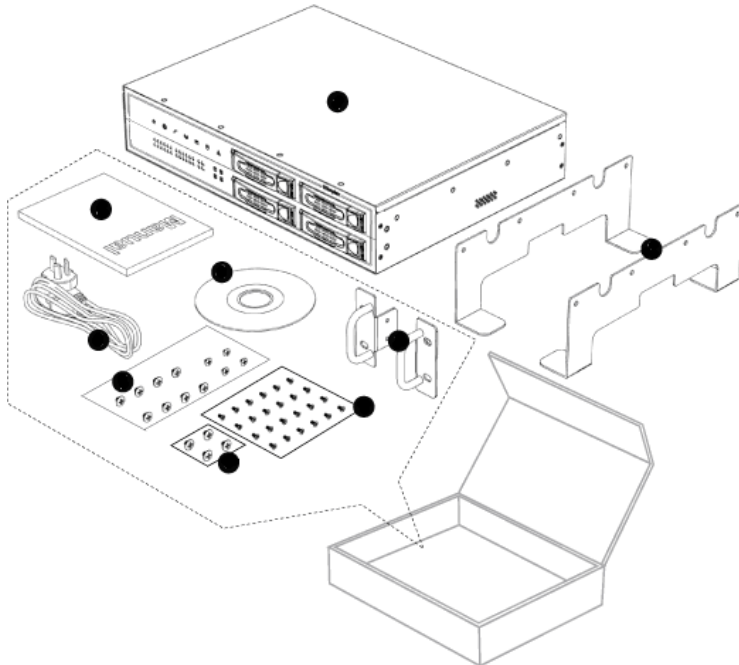
Table of Contents

1. Package Contents	3
2. Overview	4
3. Hardware Installation	6
3.1 Unpack the UMG-2000 / UMG-2200	6
3.2 Choosing a Setup Location.....	6
3.3 Preparing for Setup.....	7
3.4 Precautions	7
3.5 Installation Consideration.....	7
3.6 The Desktop Brackets Installation.....	8
3.7 The Rack Mount Installation.....	8
3.8 The Hard Disk Installation	9
4. Physical Connection	11
4.1 WAN Connection	11
4.2 LAN Port Connection	11
4.3 PSTN FXO Port Connection.....	12
5. Quick Setup Wizard	13
5.1 First Time Login.....	13
5.2 Welcome to Quick Start.....	14
Further information.....	20

1. Package Contents

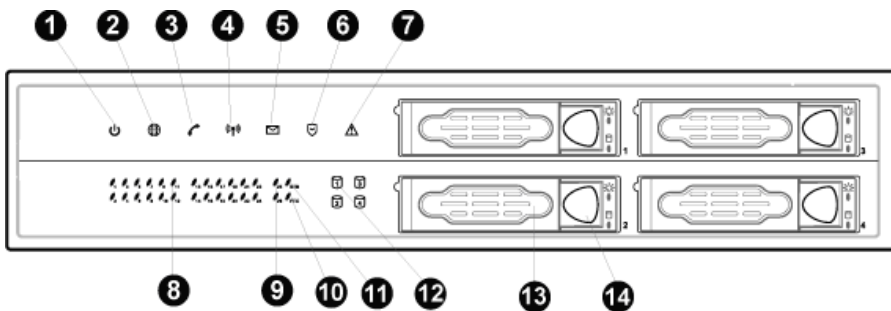
- UMG-2000 / UMG-2200 Unit x 1
- AC Power Cord x 1
- CD x 1
- Quick Installation Guide x 1
- Ear Brackets x 2
- Desk Brackets x 2
- Brackets Fixing Screws x 12
- Plug Screws x 4
- Disk Carrier Screws x 25
- Antennas x 3

If any of above items are damaged or missing, please contact your dealer immediately.



2. Overview

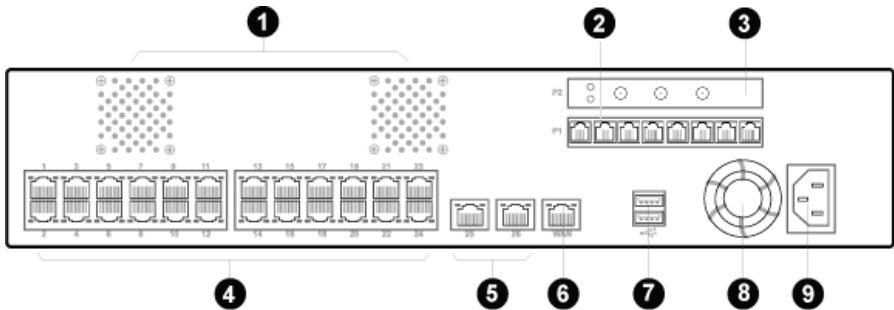
Front Panel



1	PWR LED	On	Power On
		Off	Power Off
2	Internet LED	On	Connect to Internet
		Off	Disconnect to Internet
3	PBX LED	On	PBX function turn on
		Off	PBX function turn off
4	WLAN LED	On	Wireless function turn on
		Off	Wireless function turn off
5	E-mail LED	On	E-mail function turn on
		Off	E-mail function turn off
6	Firewall LED	On	Firewall/Security function turn on
		Off	Firewall/Security function turn off
7	Alert LED	On	Don't insert or pull put hard disk
		Off	Normal status
8	1~24 LED	On	Connect to 1~24 10/100Mbps LAN ports
		Off	Disconnect to 1~24 10/100Mbps LAN ports
9	25~26 LED	On	Connect to 25~26 10/100/1000Mbps LAN ports
		Off	Disconnect to 25~26 10/100/1000Mbps LAN ports
10	FTX LED	On	Fault redundant unit is connected and activated (future feature)
		Off	Fault redundant unit is not available (future feature)

11	BTB LED	On	Branch to Branch SSL VPN secure link is established
		Off	Branch to Branch SSL VPN secure link is not enabled or disconnected
12	Storage 1~4 LED	On	Read/Write data in the hard disk
		Off	Don't Read/Write data in the hard disk
13	Disk Carrier Handler	Push the handler to lock the carrier. Unlock and pull the handler to get the carrier out	
14	Disk Carrier switch	Press the button to pop out the SATA carrier	

Rear Panel



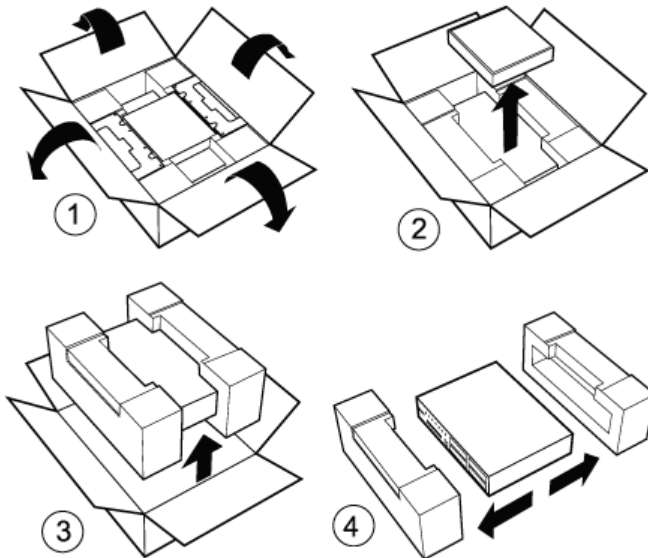
1	Cooling Fans	System cooling fans on rear panel
2	Voice (P1)	UMG-2000 : 4 x RJ-11 (4 x FXO) UMG-2200 : 8 x RJ-11 (8 x FXO)
3	Wireless (P2)	1 x 802.11b/g/n Wireless Access Point, 3 x Antenna Detachable
4, 5	LAN	1~24 ports: 24 x RJ-45 (10/100Base-TX, Auto-Negotiation, Auto MDI/MDI-X) 25~26 ports: 2 x RJ-45 (10/100/1000Base-T, Auto-Negotiation, Auto MDI/MDI-X)
6	WAN	1 x RJ-45 (10/100Base-TX, Auto-Negotiation, Auto MDI/MDI-X)
7	USB	2 x USB2.0 (future feature)
8	Cooling Fan	Power supply cooling fan
9	AC PWR	100~127V AC 6.3A, 200~240V AC 3.0A, 50/60 Hz, 200 Watts

3. Hardware Installation

3.1 Unpack the UMG-2000 / UMG-2200



You should inspect the box which the system was shipped in and note if it was damaged in any way before the unpacking. If the UMG-2000 / UMG-2200 itself shows damage you should file a damage claim with the carrier to who delivered it. Unpack the UMG-2000 / UMG-2200 as listed below.



3.2 Choosing a Setup Location

Decide on a suitable location for the UMG-2000 / UMG-2200 which should be situated in a clean, dust-free, and well ventilated area. Avoid areas where heat, electrical noise and electromagnetic fields are generated. Place the UMG-2000 / UMG-2200 near a grounded power outlet and pay attention to the following requirements.

- Leave approximately 40cm (16inche) of clearance in front of the UMG-2000 / UMG-2200 to ensure the disk carriers can be unplugged.
- Leave approximately 30cm (12 inch) of clearance in the back of the UMG-2000 / UMG-2200 to allow for sufficient airflow and ease in servicing.

3.3 Preparing for Setup

The UMG-2000 / UMG-2200 system was shipped with desk brackets, ear brackets, and mounting screws, so it is possible to install the UMG-2000 / UMG-2200 into the mounted rack or on the desk brackets. Please read following sections in its entirety before you begin the installation and follow the steps in the order given to complete the installation process correctly.

3.4 Precautions

- Review the electrical and general safety precautions.
- Install the heaviest server components on the bottom of the rack first, and then work up if you want to mount the UMG-2000 / UMG-2200 to a rack.
- Use a power supply regulating uninterruptible (UPS) to protect the server from failure.
- Allow the hot plug SATA drives and power supply units to cool before touching them.
- Always keep the rack's front door and all panels and components on the servers closed when not servicing to maintain proper cooling.

3.5 Installation Consideration

Ambient Operating Temperature

If installed in a closed or multi-unit rack assembly, the ambient operating temperature of the rack environment may be greater than the ambient temperature of the room. Therefore, consideration should be given to installing the equipment in an environment compatible with the manufacturer's maximum rated ambient temperature.

REDUCED AIRFLOW

Consideration should be given to the amount of airflow required for safe operation maybe not compromised for the rack mounting.

Circuit Overloading

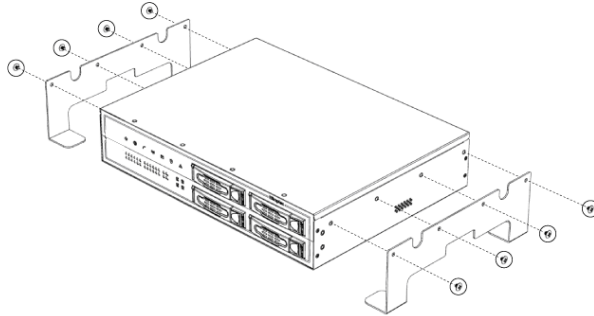
Consideration should be given to the connection of the equipment to the power supply circuitry and the effect that any possible overloading of circuits might have on over-current protection and power supply wiring. Appropriate consideration of equipment nameplate ratings should be used when addressing this concern.

Reliable Ground

A reliable ground must be maintained at all times. To ensure this, the rack itself should be grounded. Particular attention should be given to power supply connections other than the direct connections to the branch circuit (i.e. the use of power strips, etc.).

3.6 The Desktop Brackets Installation

- Unpack the UMG-2000 / UMG-2200.
- The desk brackets have been fixed to the device before packing.
- Place the system to appropriate site.

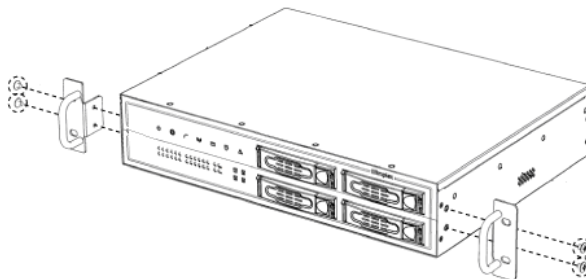


3.7 The Rack Mount Installation

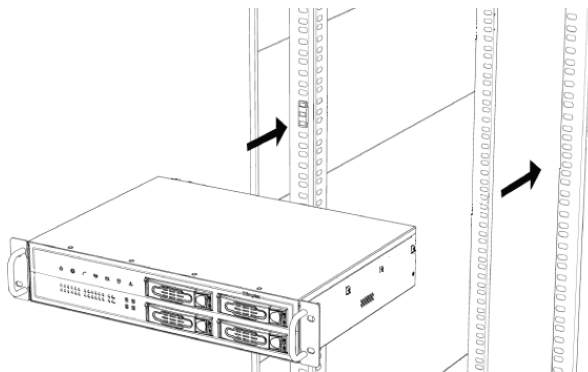
It is strongly recommended to securely fasten the mounting rack to the floor or wall to eliminate any possibility of tipping over the rack. This is especially important if you decide to install several UMG-2000 / UMG-2200 chassis in the top of the rack.

A brief overview of the UMG-2000 / UMG-2200 installation is as follows:

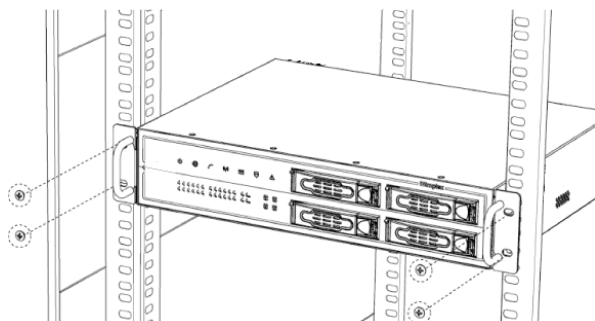
- Select an appropriate site in the rack.
- Unload 4 the plug screws from each side of the server.
- Mount the ear brackets to the server from the each side.



- Mount the server into the rack.



- Lock the server to the rack by mounting the ear brackets to the rack.



3.8 The Hard Disk Installation

The SATA subsystem supports four hot-swappable hard drives. The SATA drives are inserted to the SATA backplane that provides power and bus termination.

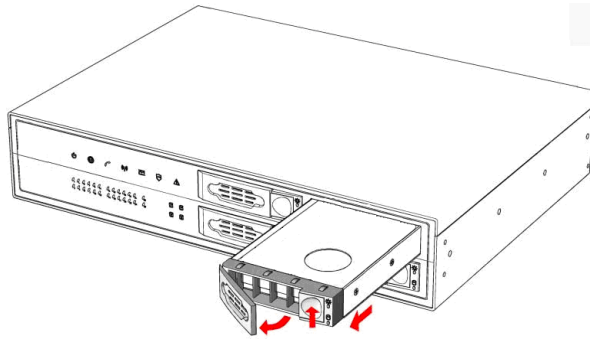


Note

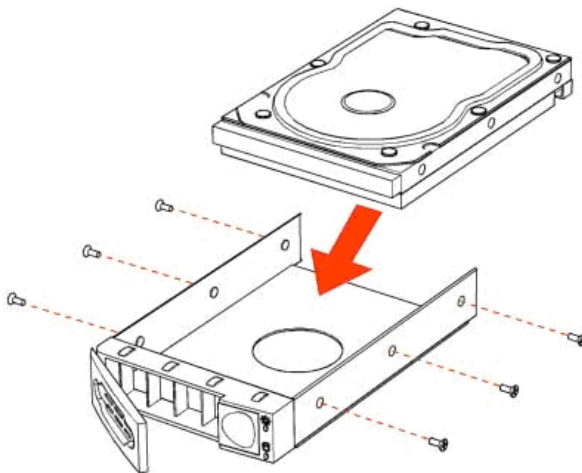
1. Please install at least one 80G HDD to the No.1 disk carrier before system configurations.
2. If with single HDD, please select RAID level to JBOD.

- Locate the storage subassembly.
- Press the disk carrier switch to unlock the carrier.

- Unplug the disk carrier by pulling the carrier handler.



- Mount the disk into the carrier and load the fixing screws.

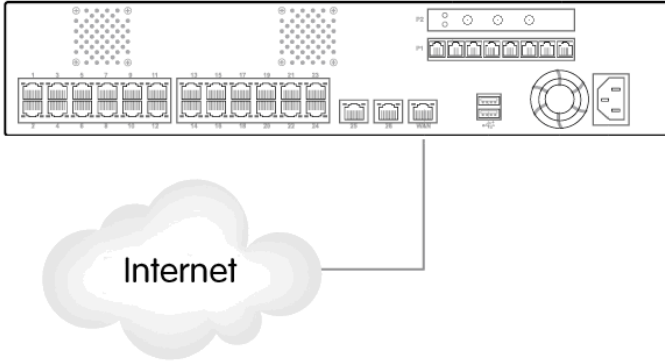


- Press the disk carrier switch to insert the carrier to the disk slot.
- Close the disk carrier lock/switch to lock the carrier.

4. Physical Connection

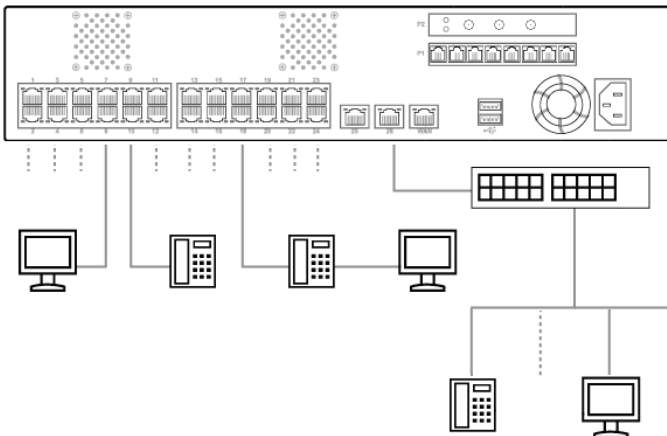
4.1 WAN Connection

- Locate the WAN port on the rear panel.
- Connect the WAN port with the Ethernet cable.



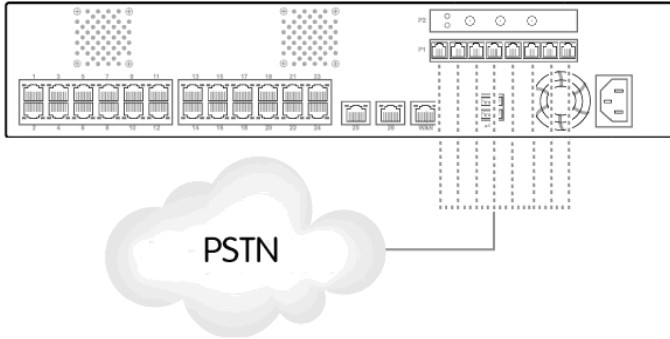
4.2 LAN Port Connection

- There are 26 Ethernet ports on the rear panel. The port 1 to 24 are 10/100 Mbps Ethernet ports and the port 25 and port 26 are 10/100/1000 Ethernet ports.
- It is recommended to connect the third party switches to the port 25, 26 to expand the LAN ports.



4.3 PSTN FXO Port Connection

- Locate the voice port of the PSTN adapter on the rear panel.
- The Analog PSTN port may vary from 4 / 8 FXO ports.
- Connect one or more telephone cables to one of the selected FXO port.



5. Quick Setup Wizard

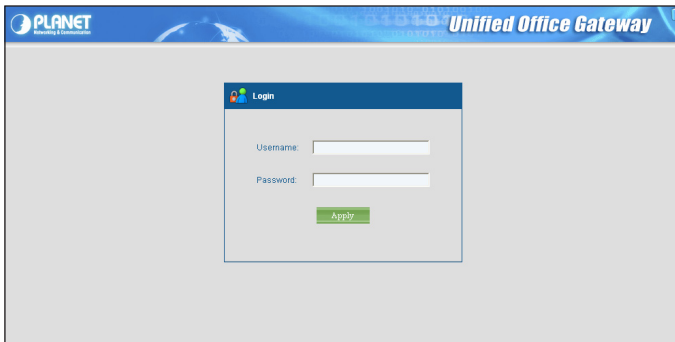
From this chapter, we will describe how to use PLANET View to configure and control the UMG-2000 / UMG-2200 features and setup IT services configuration. PLANET View enables you easily navigate through all IT configurations and services.

5.1 First Time Login

Now that the network connection between your PC and UMG-2000 / UMG-2200 has been established, you must login in order to access PLANET View.

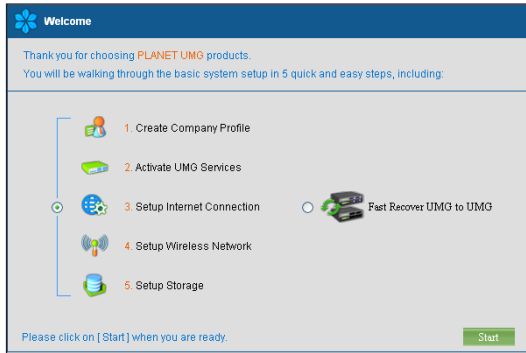
Launch a web browser (for example: IE, Firefox etc.) and type the UMG-2000 / UMG-2200 IP address in the address bar. The default address is **"http://192.168.1.1"**.

If you can not see the following login page, recheck your physical LAN connection and repeat Section "LAN Connection". To avoid web-based management abused by unauthorized users, the login sessions will logout automatically if the session is inactive for more than 5 minutes. Type in an authorized username and password and then click the button "Apply". The default username is **"admin"**, and its password is **"admin"** all in lower case.



5.2 Welcome to Quick Start

After the first login, an easy and short quick start up should be completed to make the UMG-2000 / UMG-2200 service normally. There is an alternative selection in the page "Welcome". One selection is for "Quick Start" and the other is for "Faster Recovery UMG to UMG" which will be explained in the user's manual. The quick start includes five steps which will lead administrator to setup the UMG-2000 / UMG-2200. Check the first radio box and then click the button "Start" to continue.



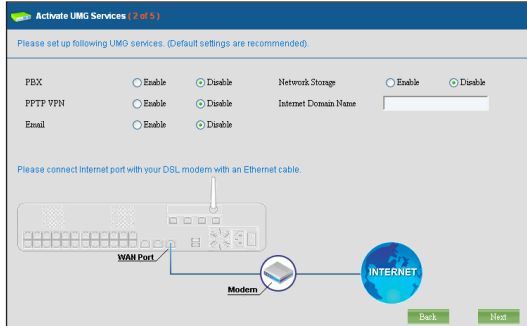
Step 1: Create the Company Profile

This page allows an administrator to build a company profile. Specify the profile and then click the button "Next" to go to step 2.

Item	Description
Company	Specify your company name.
Location	Specify your city name.
Country	Specify your country name.
Time Zone	Specify the time zone.
PBX Extension	Specify the prefix of the extensions. All PBX extensions will be prefixed with this number. (X=0~9).

Step 2: Activating UMG-2000 / UMG-2200 services

The UMG-2000 / UMG-2200 allow the administrator to activate the service on demand. By default, all services are inactive. The administrator can activate the service in this page by checking the radio box of the corresponding service. The activated services will start up by using the default configuration after the quick start. Click the button "Next" to go to step 3.



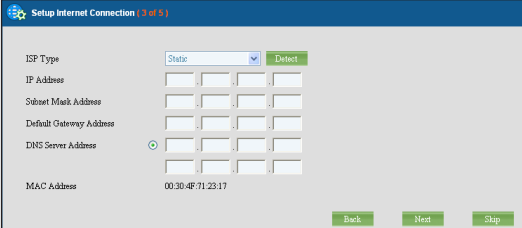
Item	Description
PBX	Enable or disable the IP PBX service.
PPTP VPN	Enable or disable the PPTP VPN service.
Email	Enable or disable the Email service.
Network Storage	Enable or disable the network storage service.
Internet Domain Name	Specify a valid Internet domain for the email server if the email service is enabled.

Step 3: Setting up the Internet Connection

This page allows the administrator to quickly setup the WAN connection. To setup the Internet connection, you should be awarded of what method you are using to connect to the Internet. All technical information should be provided by your Internet Service Provider (ISP). The ISP type should be one of the followings: static, DHCP, PPPoE or PPTP. Select your ISP type in the drop down menu. Specify the Internet connection configuration and then click the button "Next" to go to step 4 or click the button "Skip" to skip this step.

AUTO DETECT ISP TYPE

By clicking the button "Detect", you can make the UMG-2000 / UMG-2200 to recognize the ISP type automatically.



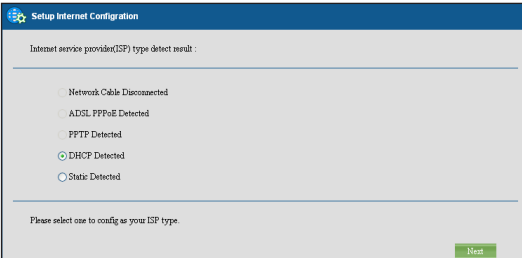
The screenshot shows the "Setup Internet Connection" window. It features a "Detect" button next to a "Static" dropdown menu. Below this are input fields for IP Address, Subnet Mask Address, Default Gateway Address, and DNS Server Address. The MAC Address is displayed as 00:30:4F:71:23:17. At the bottom, there are "Back", "Next", and "Skip" buttons.

It may take a while to detect your ISP type. Please wait.



The screenshot shows the "Setup Internet Configuration" window with a progress bar indicating "Detecting 32%". Below the progress bar, it says "Operation is in process, please wait..." with a circular arrow icon.

The ISP type will be detected and the result will be presented as follows. If "Network Cable Disconnected" is detected, please recheck the physical connection and repeat the action as shown in Section "WAN Connection". There could be more than one ISP type recognized, so choose the most suitable type from the list and then click the button "Next" to continue.



The screenshot shows the "Setup Internet Configuration" window displaying the "Internet service provider(ISP) type detect result". The results are listed as follows: Network Cable Disconnected, ADSL PPPoE Detected, PPTP Detected, DHCP Detected (selected with a radio button), and Static Detected. At the bottom, it says "Please select one to config as your ISP type" and has a "Next" button.

MANUAL SETUP INTERNET CONFIGURATION: STATIC

If your ISP type is "Static", choose it as your ISP type and setup the configuration.

The screenshot shows the 'Setup Internet Connection (3 of 5)' window. The 'ISP Type' dropdown is set to 'Static'. Below it are input fields for IP Address, Subnet Mask Address, Default Gateway Address, and DNS Server Address, each with a 'Detect' button. The 'DNS Server Address' section has a radio button selected for 'Automatically obtain DNS addresses'. The 'MAC Address' is displayed as 00:30:4F:71:23:17. At the bottom are 'Back', 'Next', and 'Skip' buttons.

Item	Description
IP Address	Specify the static IP address.
Subnet Mask Address	Specify the subnet mask address.
Default Gateway Address	Specify the IP address of the default gateway.
DNS Server Address	Specify the IP address of the primary and secondary Domain Name System.
MAC Address	Show MAC address information.

MANUAL SETUP INTERNET CONFIGURATION: DHCP

If your ISP type is "DHCP", choose it as your ISP type and setup the configuration.

The screenshot shows the 'Setup Internet Connection (3 of 5)' window. The 'ISP Type' dropdown is set to 'DHCP'. The 'DNS Server Address' section has a radio button selected for 'Automatically obtain DNS addresses'. The 'MAC Address' is displayed as 00:30:4F:71:23:17. At the bottom are 'Back', 'Next', and 'Skip' buttons.

Item	Description
DNS Server Address	Automatically obtain the DNS address or specify the IP address of the primary and secondary DNS server.
MAC Address	Show MAC address information.

MANUAL SETUP INTERNET CONFIURATION: **PPPOE**

If your ISP type is "PPPoE", choose it as your ISP type and setup the configuration.

The screenshot shows the 'Setup Internet Connection' wizard at step 1 of 5. The 'ISP Type' is set to 'PPPoE'. The 'Login Name' and 'Password' fields are empty. The 'Confirm Password' field is empty. The 'Static IP Address' is set to 'Disable'. The 'DNS Server Address' is set to 'Automatically obtain DNS addresses'. The 'MAC Address' is displayed as '00:30:4F:71:23:17'. There are 'Back', 'Next', and 'Stop' buttons at the bottom right.

Item	Description
Login Name	Specify the login username to the PPPoE server.
Password	Specify the login password to the PPPoE server.
Confirm Password	Retype the password.
Static IP Address	Specify whether you have a static IP address.
IP address	Specify your static WAN IP address if you have enabled the "Static IP Address".
Subnet Mask Address	Specify the subnet mask address if you have enabled the "Static IP Address".
DNS Server Address	Automatically obtain the DNS address or specify the IP address of the primary and secondary DNS server.
MAC Address	Show MAC address information.

MANUAL SETUP INTERNET CONFIURATION: **PPTP**

If your ISP type is "PPTP", choose it as your ISP type and setup the configuration.

The screenshot shows the 'Setup Internet Connection' wizard at step 1 of 5. The 'ISP Type' is set to 'PPTP'. The 'PPTP Server' field is empty. The 'Login Name' and 'Password' fields are empty. The 'Confirm Password' field is empty. The 'Static IP Address' is set to 'Disable'. The 'DNS Server Address' is set to 'Automatically obtain DNS addresses'. The 'MAC Address' is displayed as '00:30:4F:71:23:17'. There are 'Back', 'Next', and 'Stop' buttons at the bottom right.

Item	Description
PPTP Server	Specify the PPTP server IP address.
Login Name	Specify the username to login to the PPTP server.
Password	Specify the corresponding password to login to the PPTP server.
Confirm Password	Retype the password.
Static IP Address	Specify whether you have a static WAN IP address.
IP address	Specify whether you have a static IP address.
Subnet Mask Address	Specify your static WAN IP address if you have enabled the "Static IP Address".
DNS Server Address	Specify the subnet mask address if you have enabled the "Static IP Address".
MAC Address	Show MAC address information

Step 4: Setting the Wireless Network

This page allows the administrator to quickly setup the wireless Access Point (AP). Specify the wireless configuration and then click the button "Next" to go to step 5.

Item	Description
Access Point (AP)	Enable or disable the wireless AP service.
Hide SSID	Decide whether or not to make the wireless AP SSID visible.
Network Name (SSID)	Specify the preferred SSID name string.
Wireless Region	Select the area of location yours.
Wireless Mode	Select the preferred wireless AP mode: 802.11b / 802.11g / 802.11n.
Channel	Select the preferred wireless channel number.
Authentication Type	Specify the authentication type: Open system / Shared Key / WPA / WPA2.
Data Encryption	Select the Data Encrypt type.
Encrypt Strength	Select the encrypt strength.
Security Key	Specify the key for the clients to access this AP.

Step 5: Creating the Network Storage

This page allows the administrator to quickly setup the storage. Specify the Redundant Array of Independent Disks (RAID) level and then click the button "Next" to go to step 6.

Create Network Storage (5 of 5)

Please select the raid level

Hard Drives

SATA1:	Hitachi HDT721010SLA360 976.76 GB	SATA3:	Hitachi HDT721010SLA360 976.76 GB
SATA2:	Hitachi HDT721010SLA360 976.76 GB	SATA4:	Hitachi HDT721010SLA360 976.76 GB

Total Capacity: 976.76 GB

Please select the raid level

JBOD RAID 0 RAID 0+1 RAID 5

Warning ALL DATA ON THESE HARD DRIVES WILL BE ERASED!

Step 6: Confirmation

Please recheck your input data to ensure the accurate. Click the button "Back" to make changes. Then confirm your data and wait for the accomplishment of the wizard. It will take a couple of minutes. Please "do not" close the browser. The browser will show the RAID building progress. After finishing the wizard successfully, the page of "Personal Account Web Administration" will automatically appear.

Confirm

You have just completed the quick start setup. Here is a summary of your settings:

Profile		Service	
Company	FLANET	PBX	Disabled
Location	TAIPEI	Email	Disabled
Country	TAIWAN	PPPP VPM	Disabled
Extension	1XXX	Storage	Disabled
Storage		Internet Domain Name	N/A
RAID Level	JBOD		
Wireless		Internet	
Access Point(AP)	Disabled	ISP Type	static
Hide SSID	Disabled	IP Address	210.66.155.75
Network Name(SSID)	UMG_WIFI	Subnet Mask Address	255.255.255.224
Wireless Region	USA	Default Gateway Address	210.66.155.94
Channel	1	Primary DNS Address	168.95.1.1
Wireless Mode	802.11b	Secondary DNS Address	168.95.192.1
Authentication Type	open	MAC	00:30:4F:71:25:17
Data Encryption	none	MTU	1400
Security Key	N/A		

Now the UMG is ready to serve your office once you have added user accounts.

Further information

For further detail configurations and information can be found in the user's manual CD.

Chapter 6: Wireless

Chapter 9: Email

Chapter 7: Storage

Chapter 11: Security

Chapter 8: PBX

Chapter 13: Branch-to-Branch

If you have other questions, please contact the local dealer where you purchasing this product.