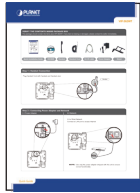


VERIFY THE CONTENTS INSIDE PACKAGE BOX

The package should contain the items plus VIP-362WT. If any item is missing or damaged, please contact the seller immediately.



Quick Installation Guide

CD-ROM

Handset

Handset Cord

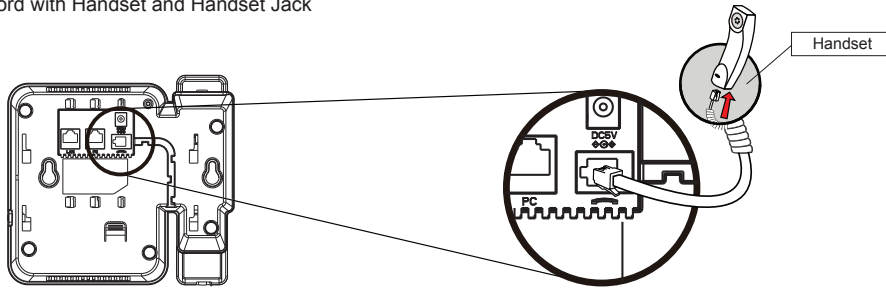
RJ-45 cable

Power Adapter

Stand

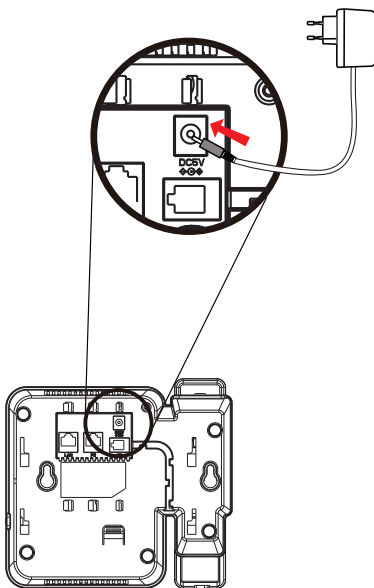
Step 1 : Handset Connection

Plug Handset Cord with Handset and Handset Jack



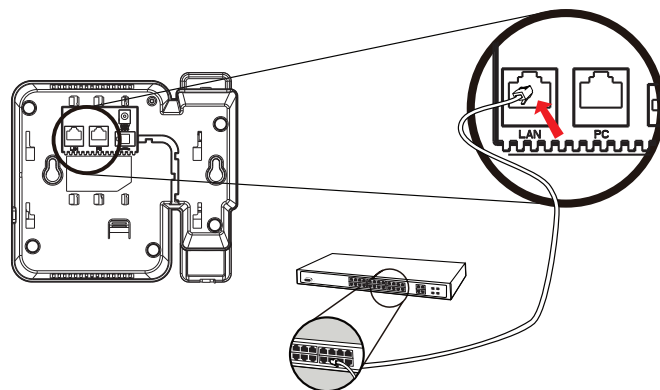
Step 2 : Connecting Power Adapter and Network

2.1 Power Adapter



2.2 Network

2.2.a Wired Network
Connect to LAN port to access Internet



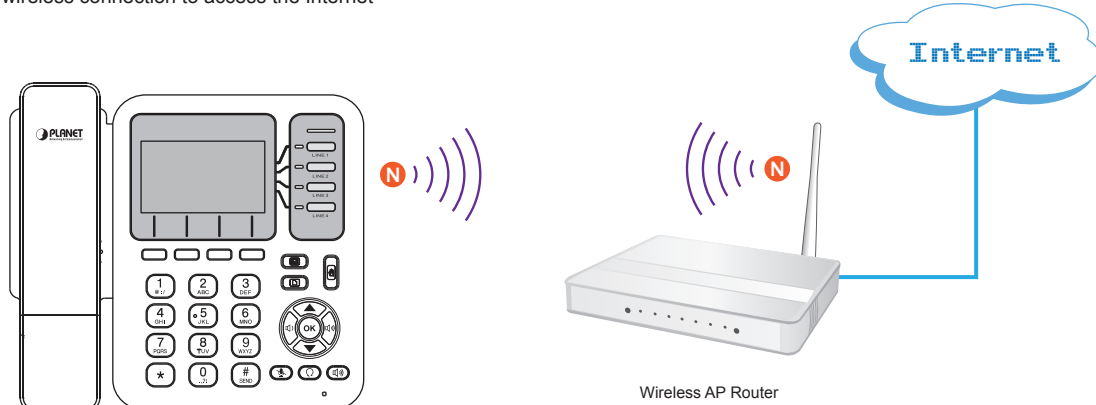
NOTE: Use only the power adapter shipped with the unit to ensure correct functionality

Step 2 : Connecting Power Adapter and Network

2.2 Network

2.2.b Wireless Network

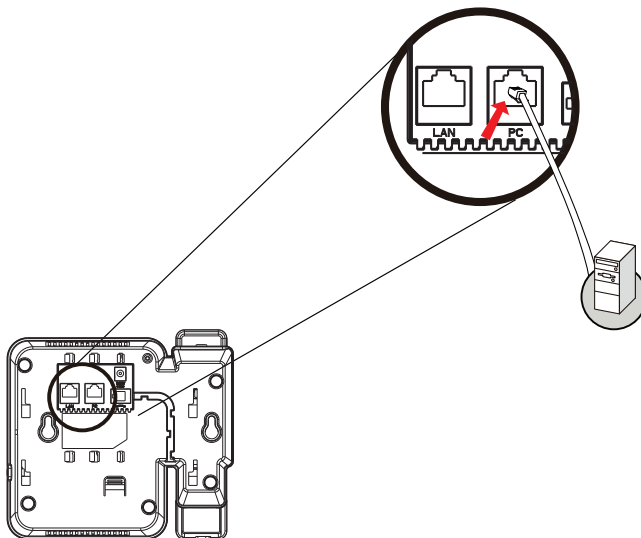
Through wireless connection to access the Internet



NOTE: For connection with Wireless AP / AP Router, it may need some advance connection information. Please contact with the network administrator for the information

Step 3 : Computer Network Setup

Set your computer's IP address to 192.168.0.x, where x is a number between 2 to 254 (except 1 where is being used for the IP phone by default). If you don't know how to do this, please ask your network administrator.



Step 4 : Login Prompt

Use web browser (Internet Explorer 6.0 or above) to connect to 192.168.0.1 (Connect to PC port and type this address in the address bar of web browser). You'll be prompted to input user name and password: **admin / 123**



Further Configuration

For detail configuration, please check user's manual on the bundled CD.

If you have any other questions, please contact the dealer where you purchased this product or you can contact PLANET directly at the following email address: support_vip@planet.com.tw