

CHECK THE CONTENTS INSIDE THE PACKAGE BOX

The package box should contain the items indicated below plus IKVM-17080 / IKVM-17160. If any item is missing or damaged, please contact the seller immediately.

Quick Installation Guide

CD-ROM

KVM Cable

Bracket Kit

Screw x 8

Power Cord

Mounting Installation of KVM Device

STEP 1 : Mount the LCD onto the rack



Caution:

1. Two installers are needed while installing the KVM drawer device.
2. Care is needed during installation as the device might be damaged.

STEP 2 : Install front and rear bracket on cabinet (Both sides)



STEP 3 : Screw the KVM module into the console from the back



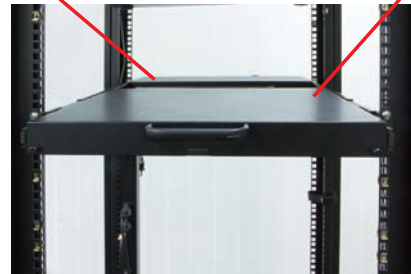
STEP 4 : Please fix KVM module with the rack mount bracket kit



STEP 5 : Finish installation as shown below

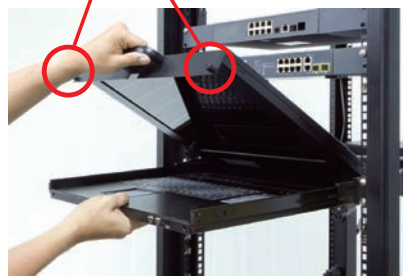
KVM Module

KVM Drawer



STEP 6 : Pull and turn the lock knobs (left and right at the same time) and then put out the screen and open console to operate

Knobs



Knob

Unlock



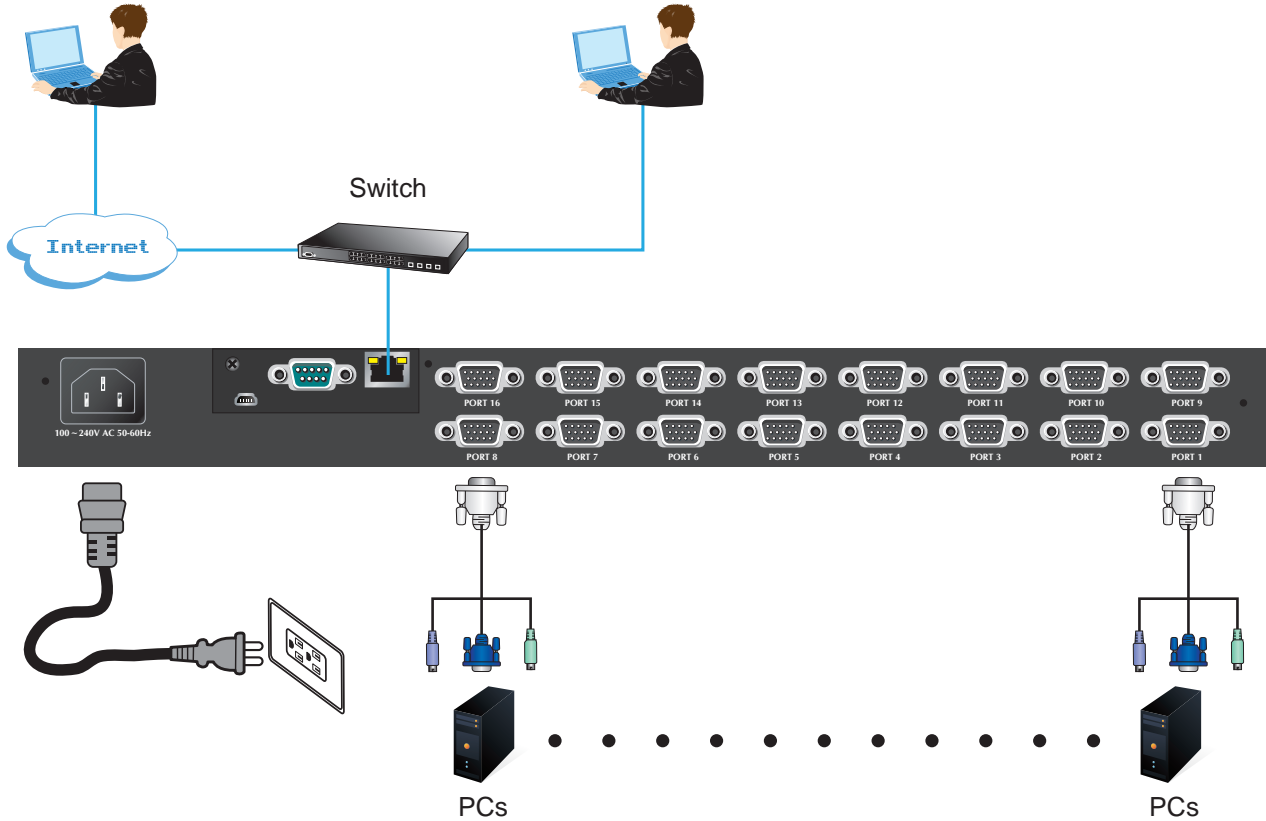
Lock



Web Management

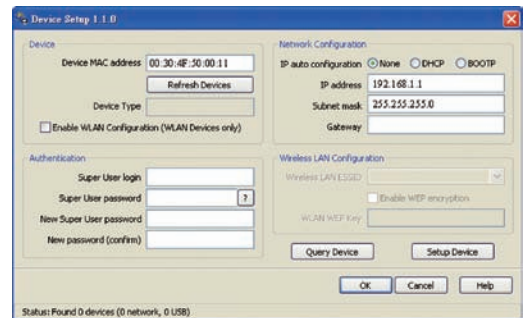
Remote Console

Local Console



If you have installed the IP-KVM on a network that enables DHCP, you can use the "PSetup" to find out the IP-KVM's IP.

1. Run "psetup_1.1.0.exe" from the CD.
2. Please click on Refresh button to find your IKVM-17080 / IKVM-17160 in the network. You can find the MAC address labeled on the bottom side of the IP-KVM module. MAC address is detected as connection from computer and IP-KVM is valid through USB or network.
3. [DHCP server available in the Network] Launch Web Browser and key in the IP address of the IKVM-17080 / IKVM-17160. Please configure your PC to the same IP subnet as well.
4. [DHCP server not available in the Network] Launch Web Browser and key in the default IP address of the IKVM-17080 / IKVM-17160. If there is no DHCP server in the network, your IKVM-17080 / IKVM-17160 will use IP address **192.168.0.20** as its default. Please configure your PC to the same IP subnet as well.
5. As soon as the Web browser starts up, IKVM-17080 / IKVM-17160 will prompt for User Name and Password. Please key in "super" and "pass".
6. You may now start to configure your IKVM-17080 / IKVM-17160 such as Remote Control, Network Configuration, and so on.



OSD (On Screen Display)

Press the "NumLock" on the keyboard twice or simultaneously press Push Buttons 1 and 2 of the Port Selection Switch on the KVM panel to start the OSD. Use the Up, Down and Enter keys on the keyboard to switch or directly move the mouse to the target PC, and then double click the left button.

For more about your configuration, please also refer to the CD-ROM manual.