

# Industrial Internet Video Server



## *Built-in SFP Transceiver to Extend Transmission Distance*

PLANET IVS-2120 one-channel PoE Internet Video Server offers the highly-efficient H.264 video compression, which greatly reduces bandwidth without compromising image quality. When the IVS-2120 and the other side of the device are inserted with a fiber module, the maximum transmission distance can be extended by up to 20km or more. Its industrial rugged design, which includes a -30 to 60 degrees C operating temperature, IP30 form factor protection, and industrial certifications, makes the IVS-2120 suitable for harsh environments.

It provides an easy and high-quality solution to integrating analog CCTV cameras into the IP-based video surveillance system. The IVS-2120 is the ideal choice for casinos, airports, traffic surveillance, prisons or anywhere an analog surveillance system is already installed and full frame rate is needed.



## *Video / Audio*

- H.264 / MPEG-4 and M-JPEG video compression simultaneously
- Simultaneous multi-stream support
- Up to 30/25fps (NTSC/PAL) for all profiles
- 3DNR (3D Noise Reduction) to improve picture quality at low lux
- 2-way audio support with enhanced audio quality
- Event trigger by audio detection
- Standard RTSP (real-time streaming protocol) video streaming for easy integration

## *Network and Configuration*

- Auto MDI/MDI-X supported
- Compliant with IEEE 802.3af PoE interface for flexible deployment
- Supports both IPv6 and IPv4 protocols
- Supports SFP module hot plug for quick operation
- RTSP / UPnP / 3GPP / HTTPS protocols selectable

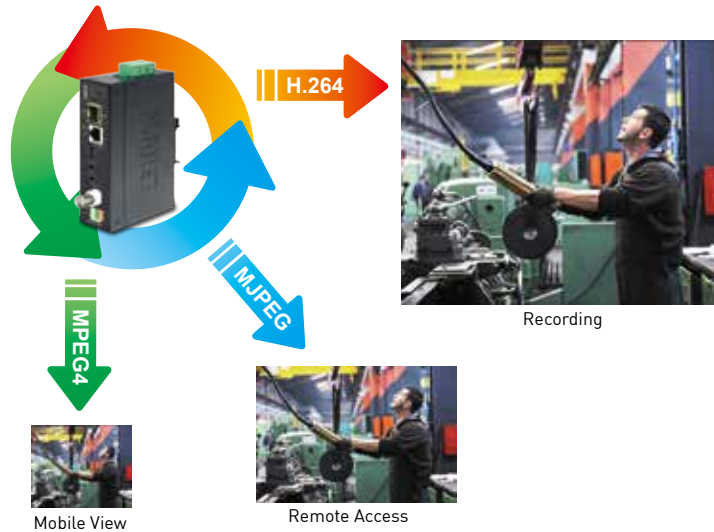
## *Easy Installation & Management*

- ONVIF compliant
- Built-in Samba client for NAS
- 3GPP for 3G mobile remote applications
- Redundant 12/48V DC and 24V AC power inputs for greater reliability
- RS-485 interface for P/T scanner control
- Built-in micro SD/SDHC card slot for on-board storage
- Digital Input / Output for integration with sensors and alarms
- Cam Viewer 3 central management software supported
- Metal housing with IP30 protection against dust
- DIN-Rail mounting installation for industrial environments
- Industrial design with -30 to 60°C operating temperature

**Full Frame Rate in All Resolutions**

The IVS-2120 supports H.264, MPEG-4, and M-JPEG compression formats to deliver excellent picture quality in 4CIF (D1) resolutions at 30/25 (NTSC/PAL) frames per second (fps). It also can deliver multiple, individually configurable video streams simultaneously at full frame rate in all resolutions, meaning several video streams can be configured with different compression formats, resolutions and frame rates for different needs.

Supporting simultaneous multiple resolutions and video compressions can generate different video streams per user's demand.

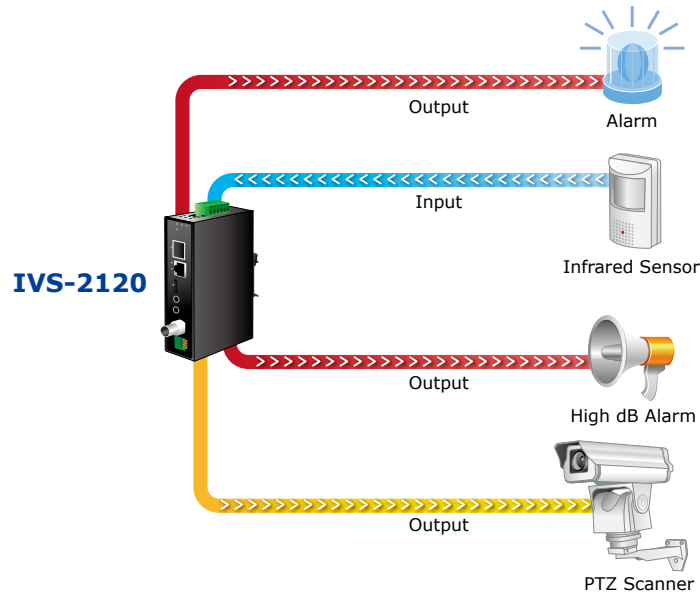


**Advanced Event Management**

The IVS-2120 supports a number of advanced features that increase monitoring flexibility and capabilities, including AV out to perform the two-way audio function, micro SD/SDHC card slot for local storage, RS-485 for connection to an optional pan/tilt enclosure and input/output port for connecting external sensor devices such as door sensors and light relays to enable real-time alarm notification and event management.

**Digital Input /Output**

**For External Sensor in and Alarm out**



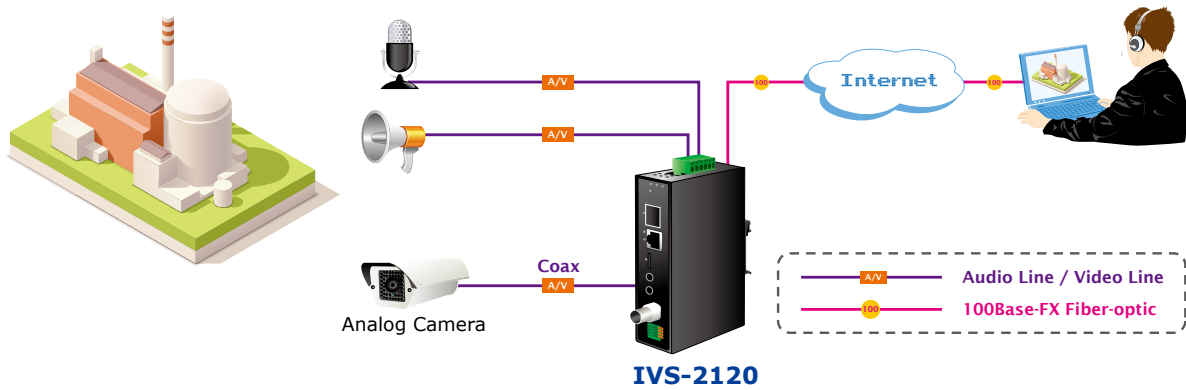
**Dual Power Source and Temperature Detect Functionality**

The IVS-2120 comes with IEEE 802.3af Power over Ethernet (PoE) and dual power source (AC and DC) which is the best redundancy solution. The IVS-2120 has a built-in temperature detector to show the temperature with working environment. The IVS-2120 is ONVIF-compliant and therefore interoperable with other brands in the market. As it includes 64-CH central management software, the IVS-2120 is indisputably the top choice for reliable and high-performance surveillance.

## Applications

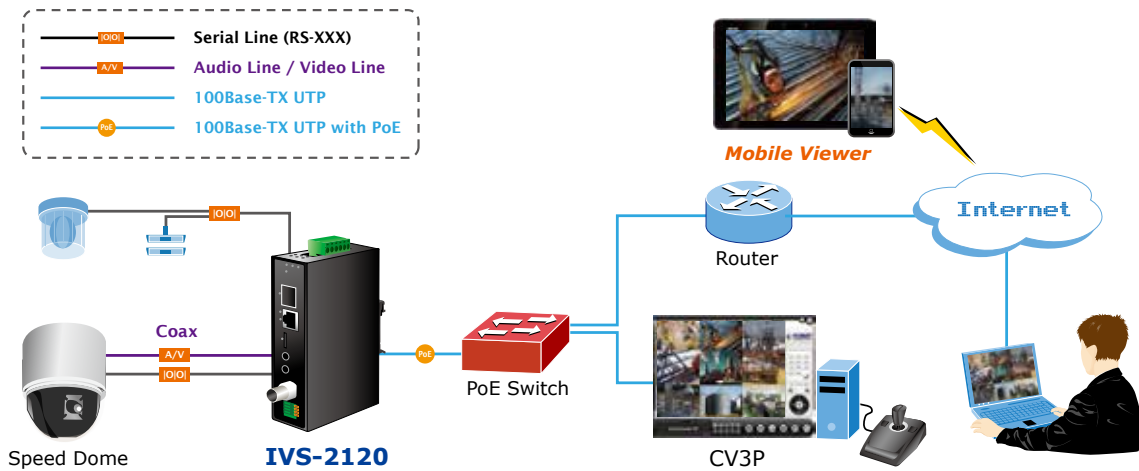
### Turning Traditional Surveillance into IP Network Surveillance

The IVS-2120 enables you to monitor your house, office or production line in the factory via the existing traditional analog cameras through Internet. The administrators can easily place the IVS-2120 Internet Video Server wherever a network connection is available and efficiently turn the analog camera monitoring system into IP-based surveillance.



### Compatible with Cam Viewer 3 Lite/Pro for Advanced Management

The supervisor can manage the IVS-2120 through Cam Viewer 3 Lite/Pro central management software for advanced surveillance features such as monitoring and recording images / videos from multiple cameras simultaneously by a single PC, laptop or any intelligent mobile device.



## Specifications

Product	IVS-2120 Industrial Internet Video Server
<b>Image</b>	
Video Compression	H.264 / MPEG-4 / M-JPEG
Video Resolution	4CIF, CIF, QCIF
Frame Rate	30/25fps (NTSC/PAL) in all resolutions
Image Setting	AE, AWB 3D noise reduction Color, brightness, sharpness, contrast Mirror / Flip 8 Privacy Masks Text, time and date overlay
Streaming	Simultaneous multi-profile streaming Streaming over UDP, TCP, or HTTP HTTPS M-JPEG streaming over HTTP (server push) Supports 3GPP mobile surveillance (MPEG4) Controllable frame rate and bandwidth Constant and variable bit rate (MPEG4/H.264) ROI
<b>Audio</b>	
Audio Streaming	Two-way audio
Audio Compression	RTSP: G.711 64kbps, G.726 32kbps 3GPP: AMR
Microphone	External microphone input
Audio Output	Adjustable audio output gain
<b>Network and Configuration</b>	
Standard	IEEE 802.3 10Base-T IEEE 802.3u 100Base-TX IEEE 802.3u 100Base-FX SFP
Protocol	IPv4, IPv6, TCP/IP, UDP, HTTP, HTTPS, SMTP, FTP, NTP, DNS, DDNS, DHCP, ARP, Bonjour, UPnP, RTSP, RTP, RTCP, IGMP, PPPoE, 3GPP, ICMP, Samba, SNMP
Security	Password protection, IP address filtering, HTTPS encrypted data transmission, user access log
Users	20 clients on-line monitoring at the same time
<b>System Integration</b>	
Application Programming Interface	Open API for software integration ONVIF Compliant
Alarm Triggers	Intelligent video motion detection, audio detection and external input
Alarm Events	File upload via FTP, Samba to NAS, SD card or email Notification via email, HTTP, and TCP External output activation Audio alerting output Pre- and post-alarm buffering
<b>Environment Specifications</b>	
Power Requirements	IEEE 802.3af Class 3 48V DC and 24V AC max. Redundant power with polarity reverse protection function
Power Consumption	3W (max.)
Operating Temperature	-30 ~ 60 degrees C
Operating Humidity	20 ~ 80% (non-condensing)
Weight	448g
Dimensions (W x D x H)	135 x 87 x 32 mm
Enclosure	IP30 metal case
Installation	DIN rail kit and wall mount ear
Emission	CE, FCC
Connectors	10/100Mbps Ethernet, RJ-45 100Base-FX SFP BNC connector, 75 ohm impedance Terminal block for 1 alarm input and 1 output RS-485 interface for pan/tilt scanners control External mic input Composite video / audio output Micro SD/SDHC card (max. 32GB, Class 6) Factory default reset

## Ordering Information

IVS-2120	Industrial Internet Video Server
----------	----------------------------------

## Related Products

CAM-IR138-NT/PA	15-meter Infrared Camera
CAM-IR338-NT/PA	30-meter Infrared Camera
CAM-IR560V-NT/PA	50-meter Infrared Vari-focal Camera
CAM-IVP55-NT/PA	25-meter Infrared Vandalproof Camera
CAM-IVP55V-NT/PA	25-meter Infrared Vari-focal Vandalproof Camera
NVR-420	4-ch Network Video Recorder with HDMI
NVR-810	8-ch Network Video Recorder
NVR-820	8-ch Network Video Recorder with HDMI
NVR-1610	16-ch Network Video Recorder
NVR-1620	16-ch Network Video Recorder with HDMI
NVR-3210	32-ch Network Video Recorder
NVR-3250	32-ch Rack Mount Network Video Recorder
SGSW-24040HP	24-port 10/100/1000Mbps with 4-port Shared SFP 802.3at PoE Managed Stackable Switch
WGSD-10020HP	8-port 10/100/1000Mbps + 2-port 100/1000X SFP Managed 802.3at PoE Switch
IGS-10020PT	Industrial 8-port 10/100/1000T 802.3af PoE + 2-port 100/1000X SFP Managed Switch with Wide Operating Temperature

### PLANET Technology Corporation

11F., No.96, Minquan Rd., Xindian Dist., New Taipei City  
231, Taiwan (R.O.C.)

Tel: 886-2-2219-9518

Email: sales@planet.com.tw

Fax: 886-2-2219-9528

www.planet.com.tw



PLANET reserves the right to change specifications without prior notice. All brand names and trademarks are property of their respective owners. Copyright © 2014 PLANET Technology Corp. All rights reserved.

IVS-2120